

DIGILINX™ Technical Bulletin

Security Issue with *DoorLinX* Door Strike Relay

The
Ultimate
IP A/V
Experience.

Products Included:

DoorLinX™

Security Issue

DoorLinX includes a door strike relay which can be used to remotely open the door. If an unauthorized person gains access to the wires leading from the *DoorLinX* unit to the door strike, they could trigger the door strike and open the door. The door strike relay is intended as a convenience feature, not as a security device.

Mitigation

When security is a concern, always secure doors with deadbolts or use M3 security screws to secure the *DoorLinX* to the wall. See Figure 1 for inserting M3 security screws.

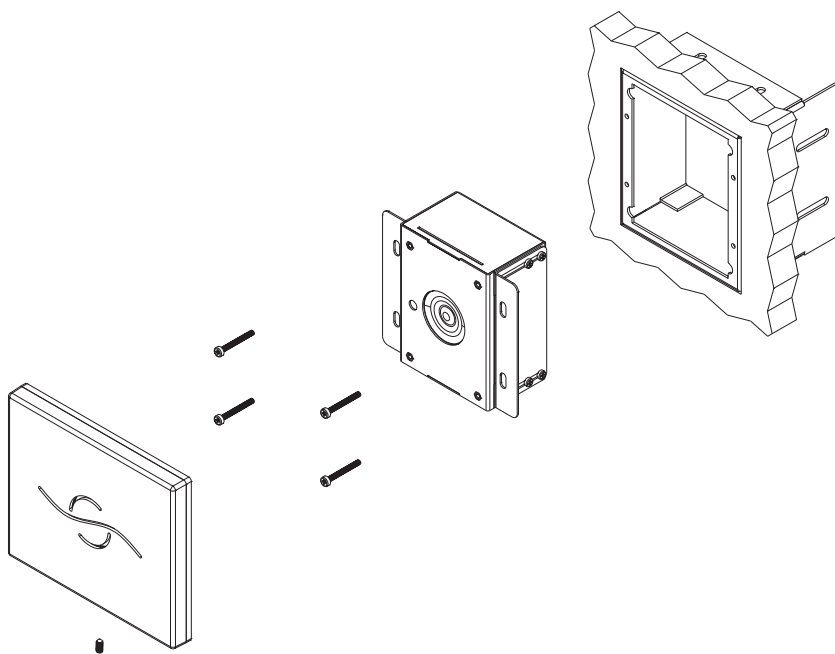


Figure 1 Inserting M3 security screws

