

PANORAMA™ Application Note

Connecting the *Panorama PAN6400* Video Distribution Center (VDC) to More than Four Sources

When planning and designing a Multi-Room Video system, it's important to consider how the system will be used. If some sources are shared with several (but not all) of the system displays, it's possible to use the *PAN6400* to distribute to more than four video sources.

This application note shows you an example of how you might connect more than four sources using a *PAN6400* VDC. In the sample configuration, the installation includes:

- two sources for Zones 1 through 6
- two sources for Zones 7 through 12
- two sources for Zones 13 through 18
- two global sources available for all zones

Requirements

The following are required to make the proper connections:

- component (y, Pr, Pb) video cable

NOTE: This example uses component cable, but other configurations could use S-Video or composite cabling. Ensure that you choose the same type of cable for all your connections. The *PAN6400* does not convert between video signal types, so consistency in your cabling is important.

- IR emitters
- 3.5 mm phono cable
- three *PAN6400*s
- eight sources

Procedures

To make connections, you'll need to wire for both video and IR. Figure 1 displays the proper wiring configuration for component video. Figure 2 shows you how to complete IR connections.



The
IP-Based
Distributed
Entertainment
Company.

Products Included:

PAN6400

PANVP500

AP300/AP500

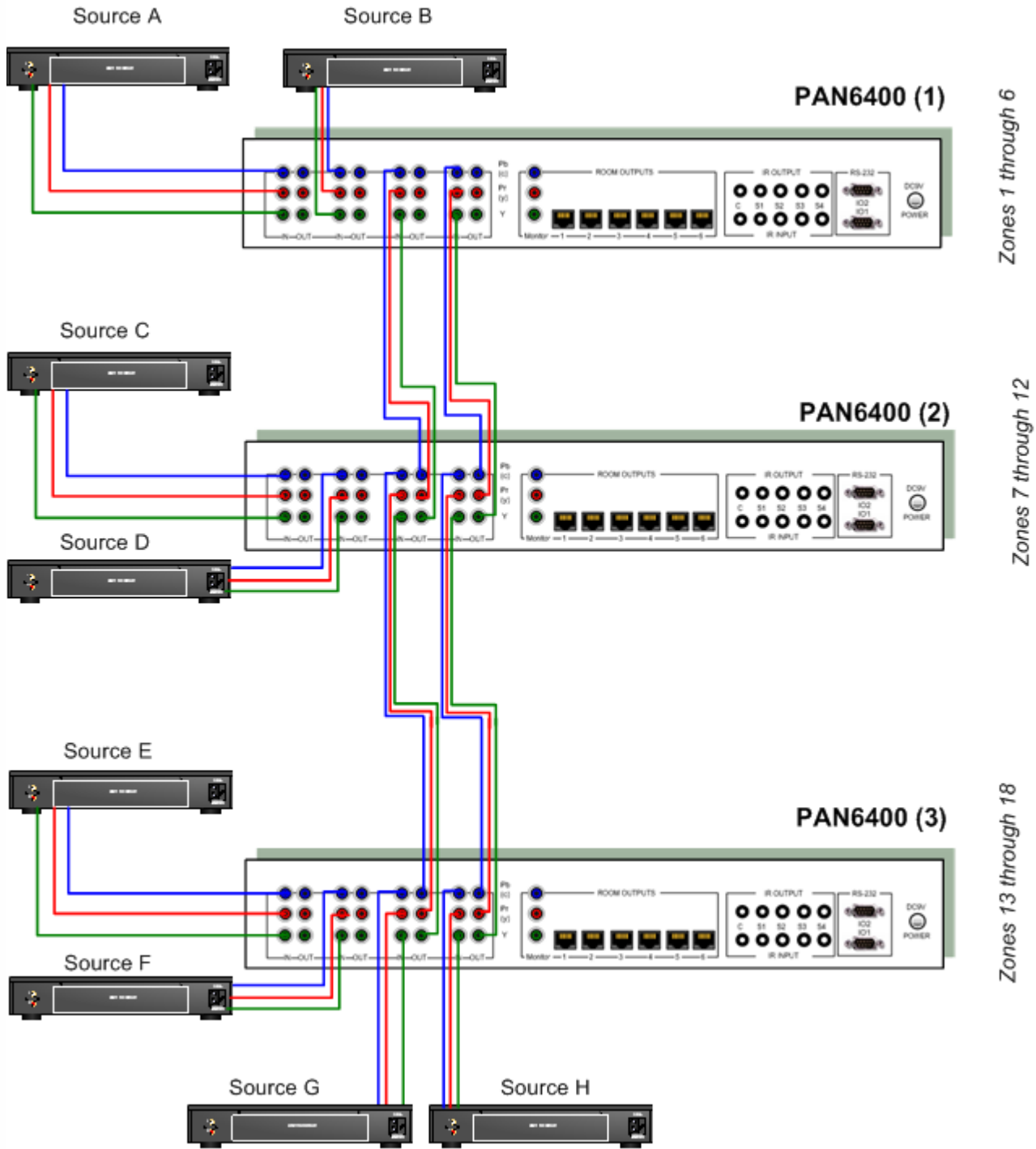
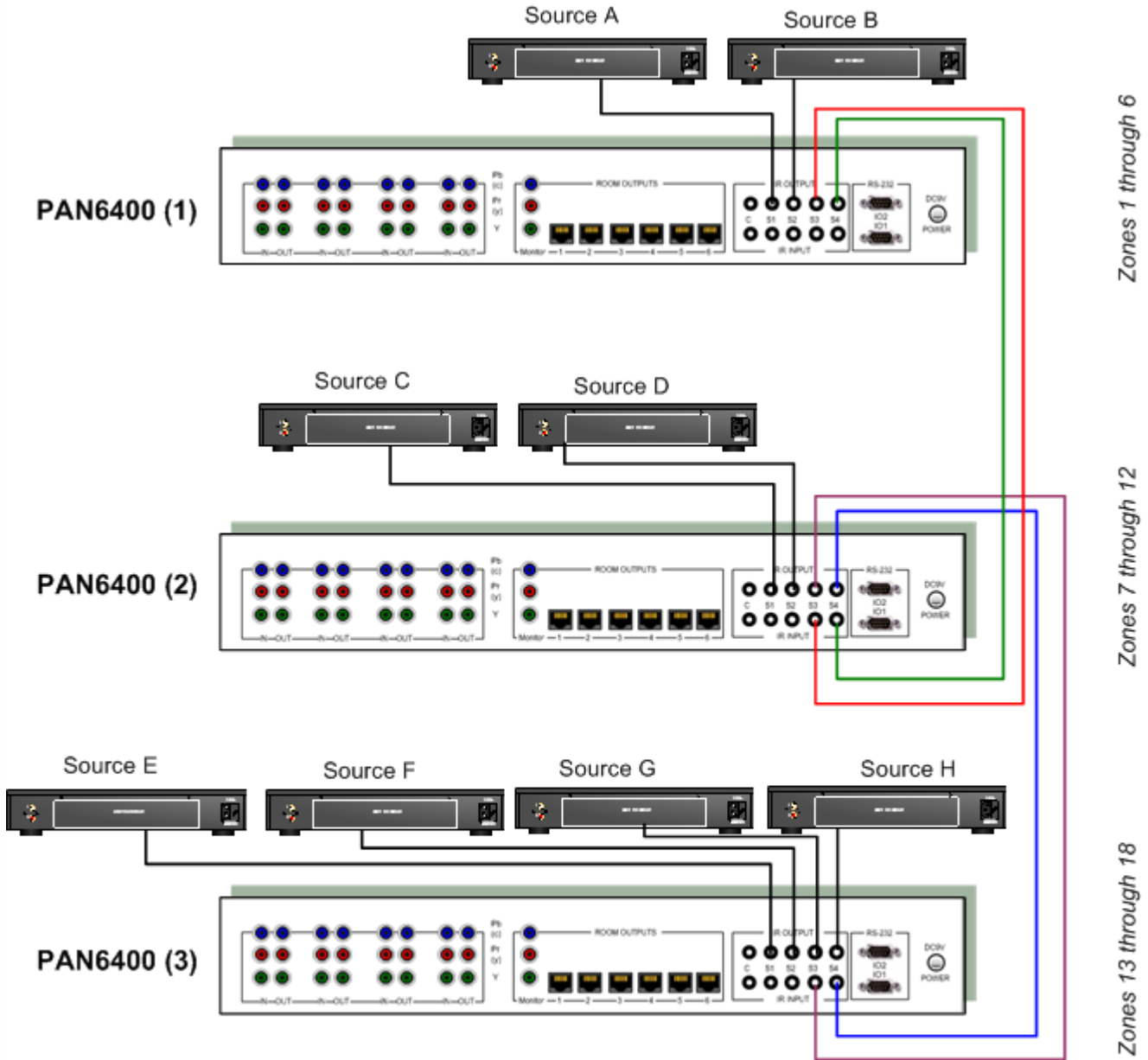


Figure 1 Wiring for component video



Note: Sources are the same as those pictured in Figure 1, but have been rearranged to show IR connections more clearly.

Figure 2 Making IR connections

Connection Checklist

Table 1-1
Connection Checklist

Device	Zones	Connection From	Connection To	Cable Type
PAN6400 (1)	1 through 6	S1 IR Out	Source A	IR Emitter
		S2 IR Out	Source B	IR Emitter
		Video In (1)	Source A	RCA/Component
		Video In (2)	Source B	RCA/Component
		Video In (3)	PAN6400 (2) Video 3 Out	RCA/Component
		Video In (4)	PAN6400 (2) Video 4 Out	RCA/Component
PAN6400 (2)	7 through 12	S1 IR Out	Source C	IR Emitter
		S2 IR Out	Source D	IR Emitter
		S3 IR In	PAN6400 (1) S3 IR Out	3.5 mm Phono Cable
		S4 IR In	PAN6400 (1) S4 IR Out	3.5 mm Phono Cable
		Video In (1)	Source C	RCA/Component
		Video In (2)	Source D	RCA/Component
		Video In (3)	PAN6400 (3) Video 3 Out	RCA/Component
		Video In (4)	PAN6400 (3) Video 4 Out	RCA/Component
PAN6400 (3)	13 through 18	S1 IR Out	Source E	IR Emitter
		S2 IR Out	Source F	IR Emitter
		S3 IR Out	Source G	IR Emitter
		S4 IR Out	Source H	IR Emitter
		S3 IR In	PAN6400 (2) S3 IR Out	3.5 mm Phono Cable
		S4 IR In	PAN6400 (2) S4 IR Out	3.5 mm Phono Cable
		Video In (1)	Source E	RCA/Component
		Video In (2)	Source F	RCA/Component
		Video In (3)	Source G	RCA/Component
		Video In (4)	Source H	RCA/Component